

Water Specialist Cabinet

Clack has developed a water softener cabinet that will accept any WS1 or WS1.25 control valve model.

Its top sliding cover opens to a large tapered chute for ease of adding salt to the system without removing the cover. This new design offers a unique flip up access window that allows you to program the valve without removing the cover.

A new brine valve/brine well system has been incorporated in the design that allows full access to the brine valve for servicing, without having to disassemble the complete system.

Available in Blue and in Grey.

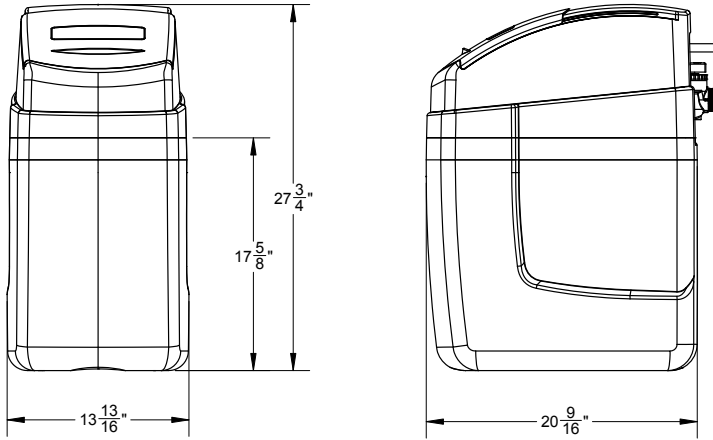


Brine valve and brine well system



Top sliding cover and flip up access window

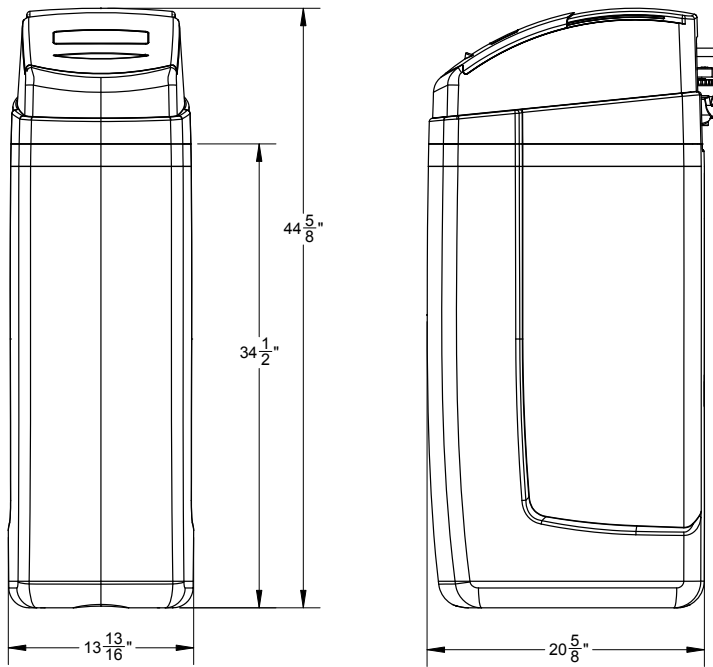
Water Specialist - CWS-18 Cabinet



The Water Specialist - CWS-18 Cabinet accepts 18" tall mineral tanks.

Tank Size	Liquid Capacity		Salt Capacity	
	in.	gal.	liters	lbs.
8 x 18	14	3.7	142	64
9 x 18	13	3.5	133	60
10 x 18	12	3.3	124	56

Water Specialist - CWS-35 Cabinet



The Water Specialist – CWS-35 Cabinet accepts 35" tall mineral tanks up to a 12" diameter to maximize system capability.

Tank Size	Liquid Capacity		Salt Capacity	
	in.	gal.	liters	lbs.
8 x 35	28	7.5	285	129
9 x 35	27	7.0	279	126
10 x 35	25	6.5	258	117
12 x 35	20	5.3	208	94

The cabinet will be available for use with 18" and 35" tall media tanks including a 12" x 35" tank to maximize resin capacity. Control Valve and Mineral Tank not included.

ORDERING INFORMATION

The cabinet requires **two** part numbers when ordering, one part number for the base assembly with the brine system and one part number for the top trim plate and the cover assembly.

ORDER NUMBER	DESCRIPTION	QUANTITY PER CARTON	WEIGHT PER CARTON
J2TCWS-HEH	CWS Top Assembly Light Gray/Dark Gray	1	8 lbs.
J2TCWS-BEB	CWS Top Assembly Light Gray/Blue	1	8 lbs.
J2B18E	CWS18 Bottom Assembly Light Gray with 474 Assembly	1	10 lbs.
J2B35E	CWS35 Bottom Assembly Light Gray with 474 Assembly	1	17 lbs.